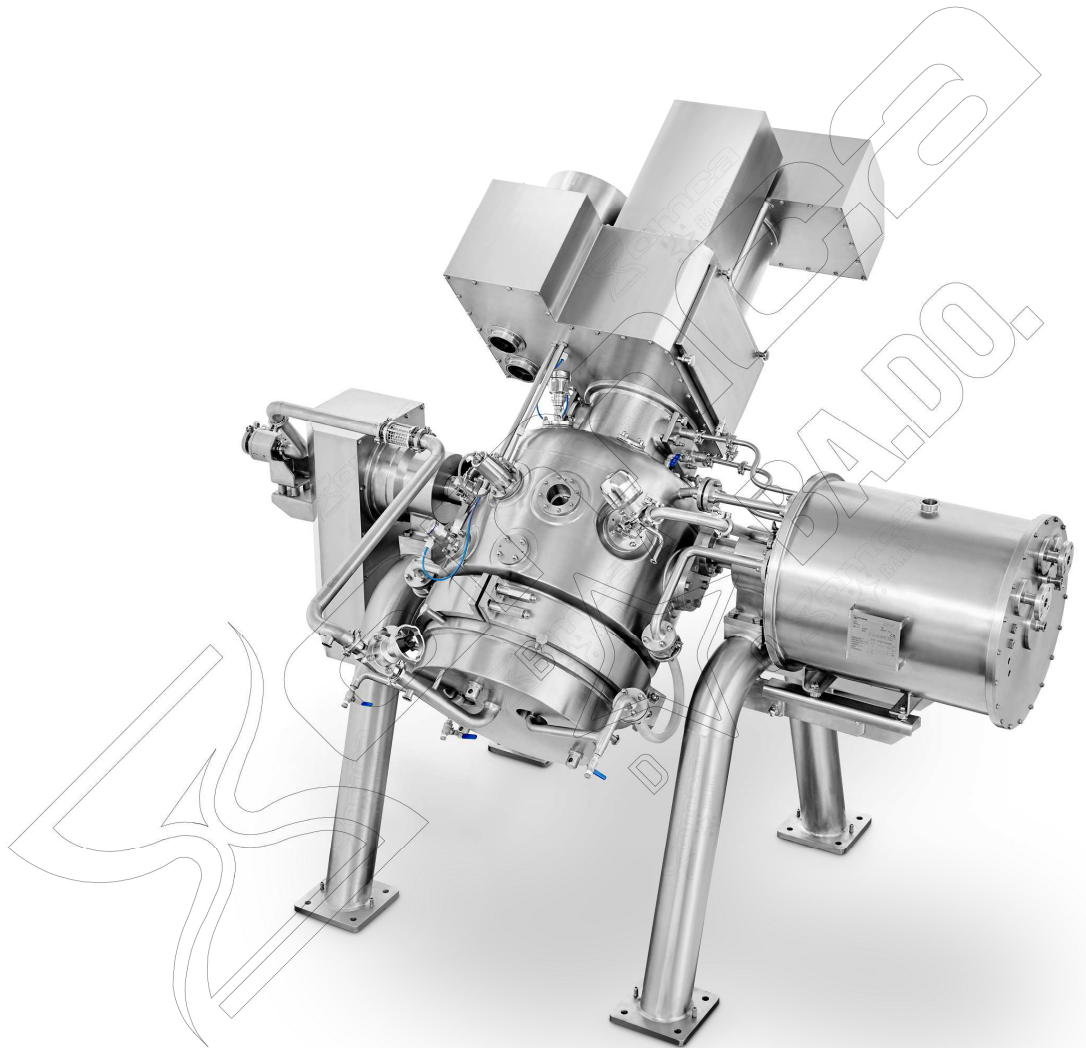
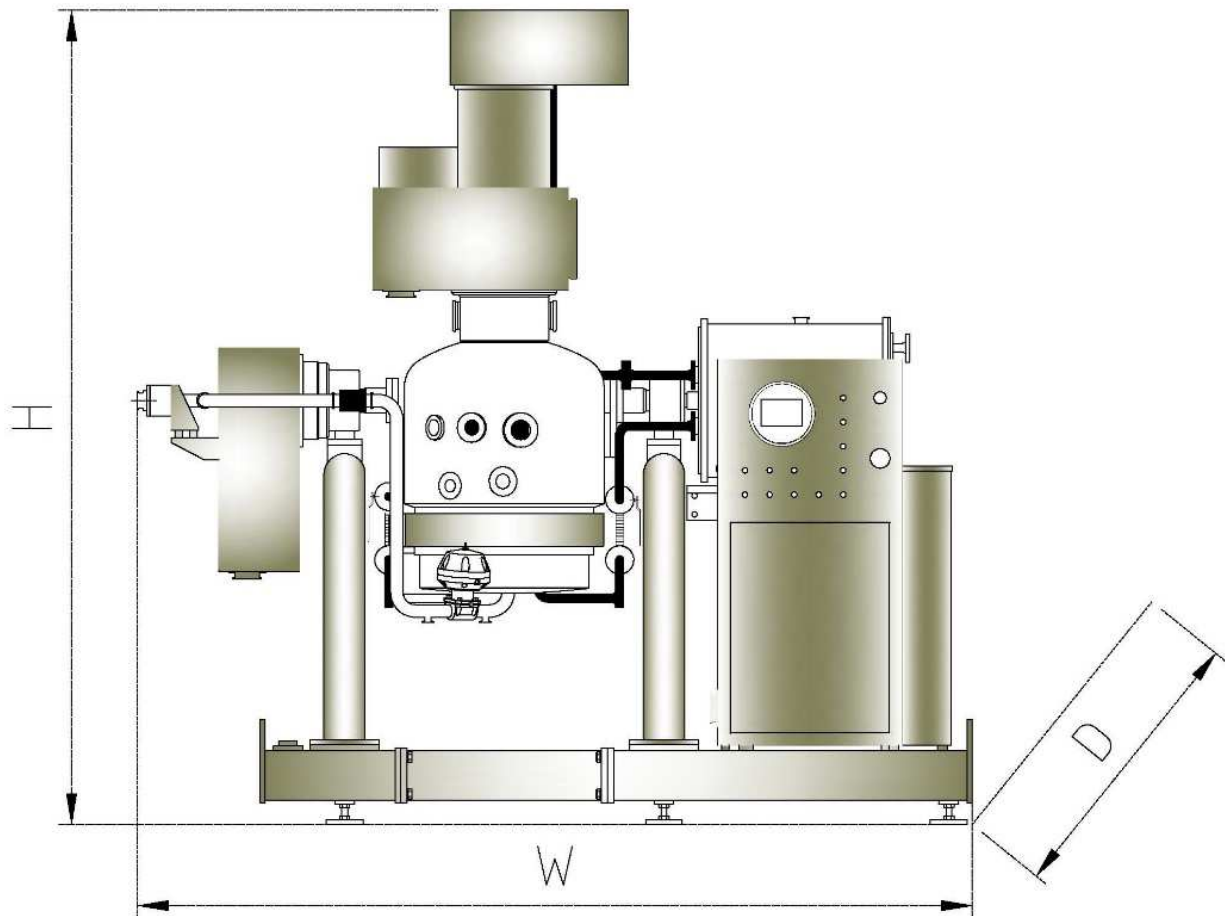


TILTING™ PFD 650 - PILOT FILTER DRYER UNIT



A 650 Tilting™ PFD Pilot Unit is available for you to rent and try in your own factory . It is a trouble free “plug-in” type Unit that will be conveniently fitted on a SKID which includes Power Unit and basic Control System to operate the machine.

• Material	316 L
• Gaskets	FDA approved FEP with silicon inside
• Configuration	Suitable for Sterile and non-Sterile work
• ATEX classification	Internal and External zone II 2GD T4 135°CX
• Cake volume	Ideally suited for trials from 10 to 66 litres of product
• Filter Septums available	5 – 10 – 20 – 30 μ sintered mesh filters available



<ul style="list-style-type: none"> Main dimensions of Skid 	H : 3.325 mm W : 3.400 mm D : 2.720 (including space for rotation)
---	--

Utilities that are normally required:

<ul style="list-style-type: none"> Nitrogen fluxing of mechanical seal 	$\frac{3}{4}$ " clamp ASME BPE type "A"
<ul style="list-style-type: none"> Manifold with <ul style="list-style-type: none"> Product loading in Nitrogen in Clean Air in CIP in SIP in Nitrogen/air out Vent 	1" clamp ASME BPE type "A"

<ul style="list-style-type: none"> • Blow down / rupture disc 	2" ASME BPE
<ul style="list-style-type: none"> • Manifold with Mother water out Vacuum line out Vapours Condensate out CIP/SIP in (?) Drying nitrogen in Drying clean air in 	2 ½" ASME BPE
<ul style="list-style-type: none"> • Jacket draining 	3/8" Gas F
<ul style="list-style-type: none"> • Jacket venting 	3/8" Gas F
<ul style="list-style-type: none"> • Drain CIP/Condensate out 	1" ASME BPE type "A"
<ul style="list-style-type: none"> • Manifold with Drain CIP/Condensate out Drying Nitrogen in Drying clean air in 	1" ASME BPE type "A"

Please contact OMCA Plants for availability, terms and conditions and further information